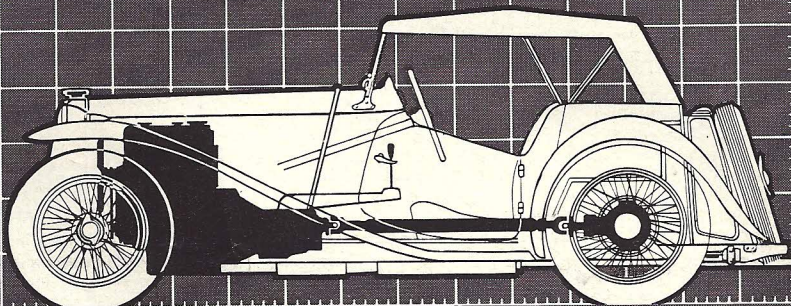




ROAD TEST

MG-TC



SCALE: 10" DIVISIONS

DIMENSIONS

Wheelbase, in.	94.0
Tread, f and r	45.0/45.0
Over-all length, in.	139
width	56
height	53
equivalent vol, cu ft.	239
Frontal area, sq ft	16.6
Ground clearance, in.	6.0
Steering ratio, o/a	n.a.
turns, lock to lock	1.5
turning circle, ft.	37
Hip room, front	42
Hip room, rear	
Pedal to seat back	40
Floor to ground	12

CALCULATED DATA

Lb/hp (test wt)	40.0
Cu ft/ton mile	78.5
Mph/1000 rpm (4th)	15.5
Engine revs/mile	3870
Piston travel, ft/mile	2280
Rpm @ 2500 ft/min	4230
equivalent mph	65.6
R&T wear index	88.2

SPECIFICATIONS

List price	\$1895
Curb weight, lb.	1840
Test weight	2180
distribution, %	47/53
Tire size	4.50-19
Brake swept area	168
Engine type	4 cyl, ohv
Bore & stroke	2.62 x 3.54
Displacement, cc	1250
cu in.	76.3
Compression ratio	7.25
Bhp @ rpm	54.4 @ 5200
equivalent mph	80.6
Torque, lb-ft.	63 @ 3000
equivalent mph	46.5

GEAR RATIOS

4th (1.00)	5.12
3rd (1.35)	6.93
2nd (1.97)	10.1
1st (3.38)	17.3

SPEEDOMETER ERROR

30 mph	actual, 30.5
60 mph	58.2

PERFORMANCE

Top speed (4th), mph	75.0
best timed run	78.9
3rd (5500)	63
2nd (5500)	44
1st (5500)	25

FUEL CONSUMPTION

Normal range, mpg	22/28
-------------------	-------

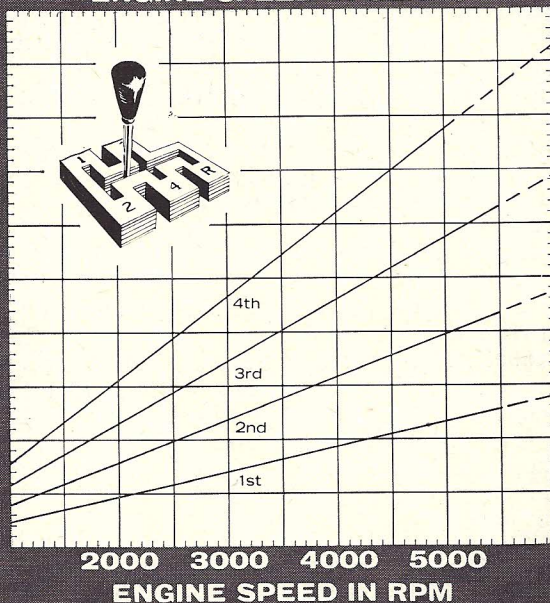
ACCELERATION

0-30 mph, sec	5.7
0-40	8.8
0-50	14.0
0-60	21.2
0-70	34.3
0-80	
0-100	
Standing 1/4 mile	21.8
speed at end	60.8

TAPLEY DATA

4th, lb/ton @ mph	170 @ 40
3rd	240 @ 36
2nd	350 @ 32
Total drag at 60 mph, lb.	120

ENGINE SPEED IN GEARS



ACCELERATION & COASTING

