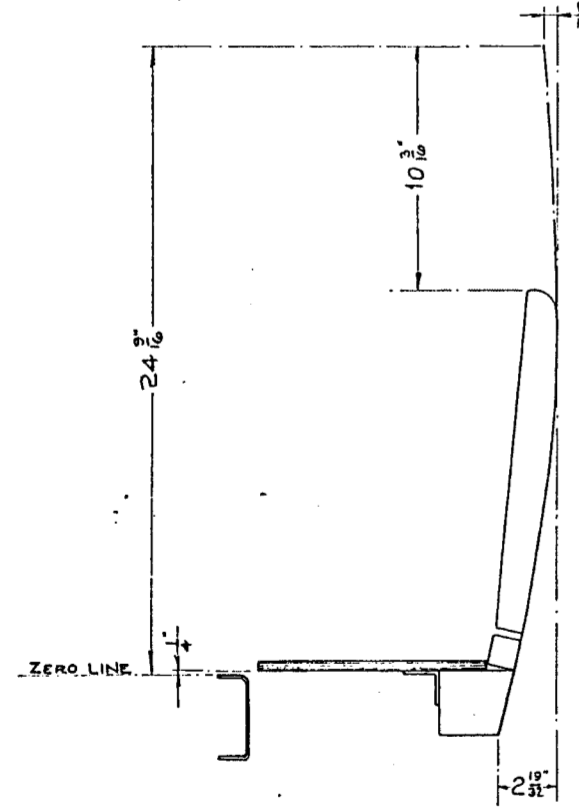
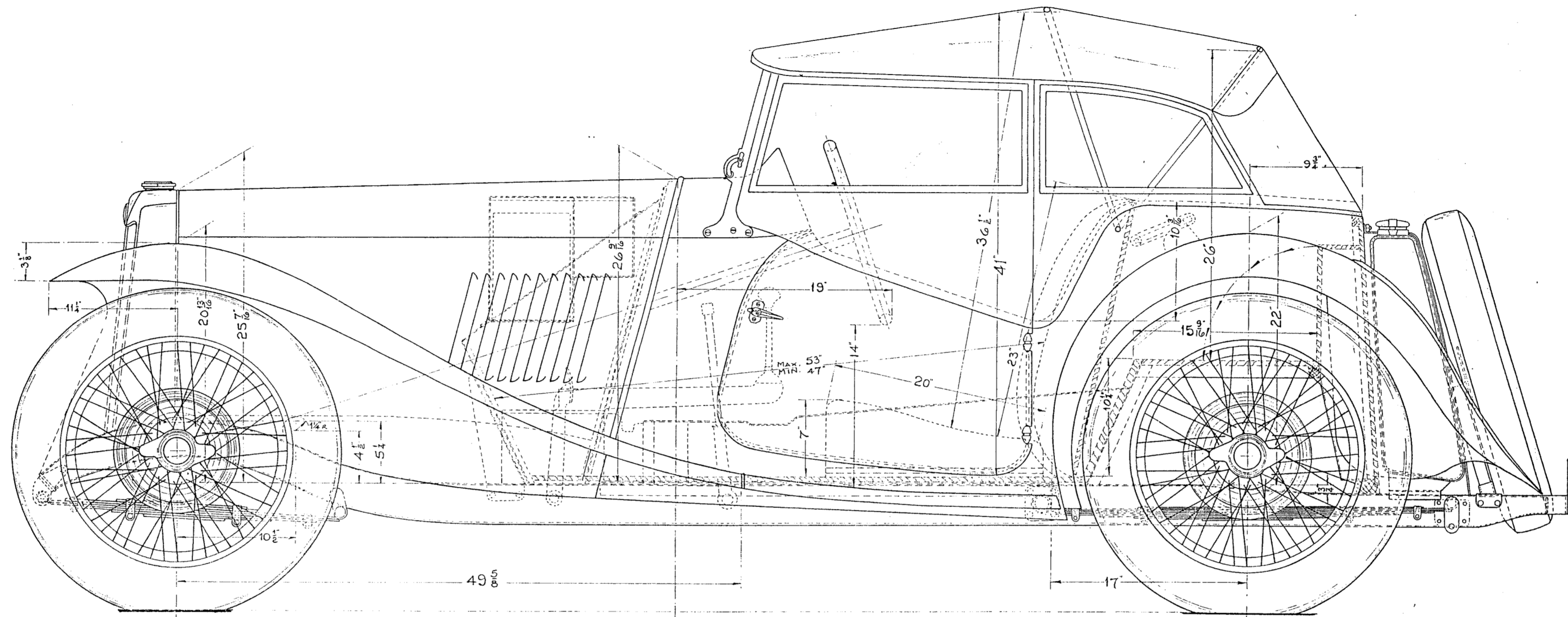


45" TRACK FRONT



PILLAR LAYOUT

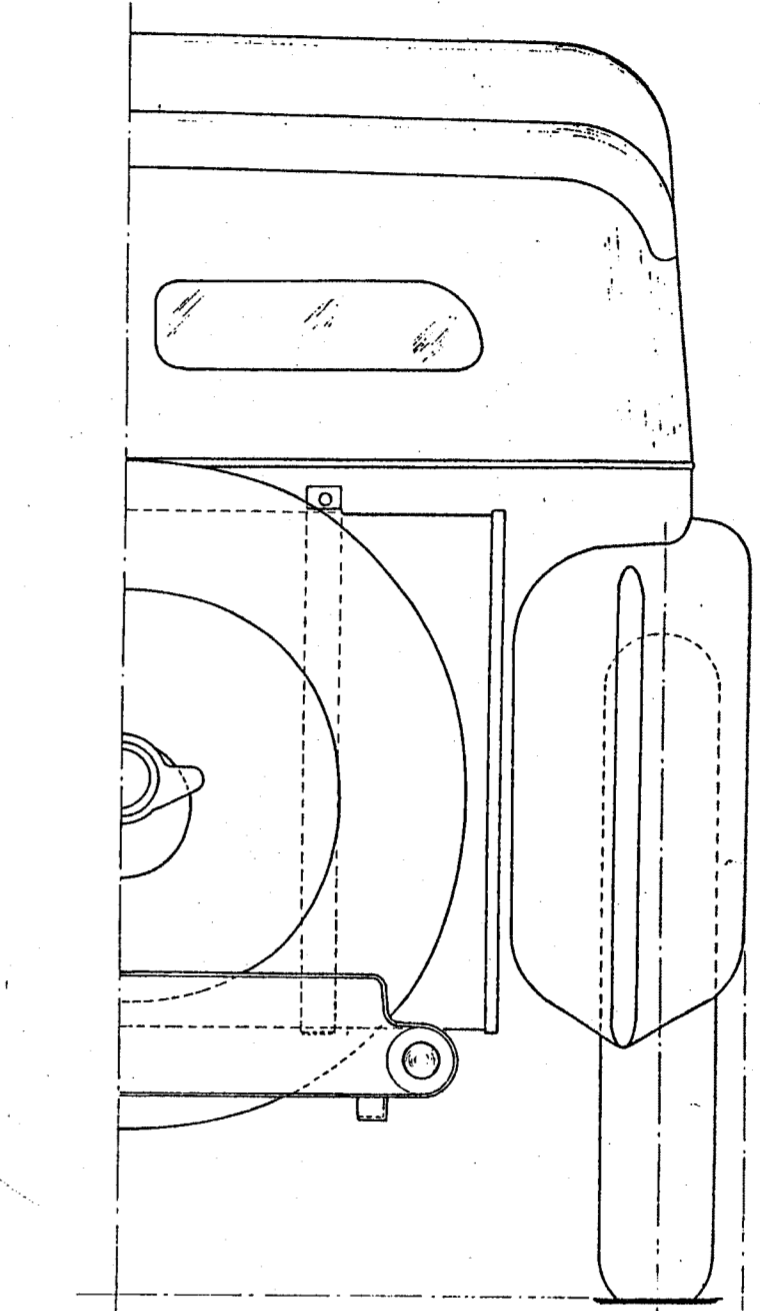
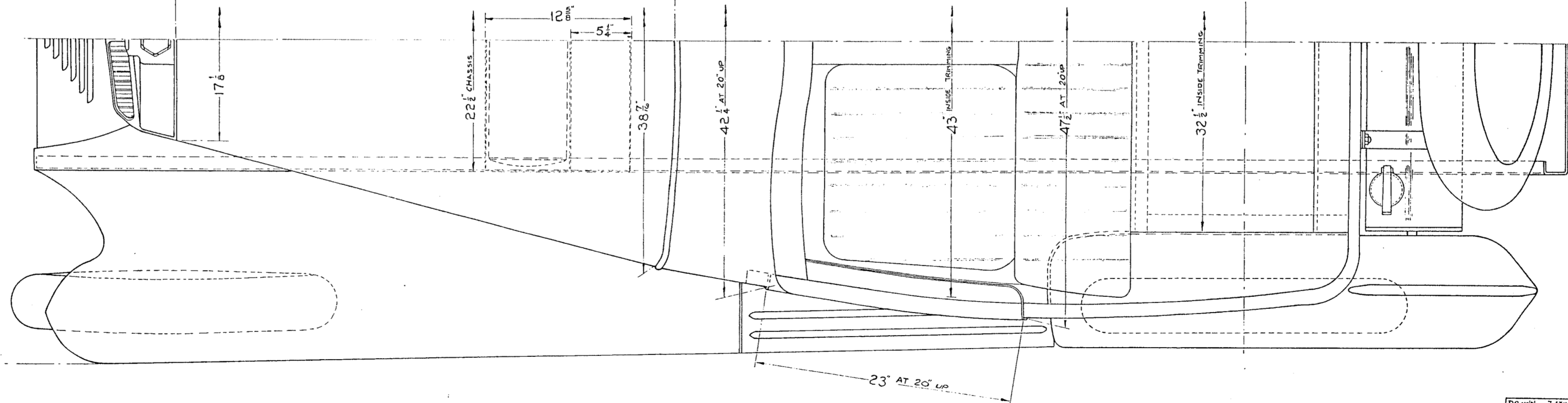


49 5/8"

54" WHEEL BASE

43 1/2"

55 1/2"



45" TRACK REAR

52 1/2"

TYRES - 4.50 x 19"
 OVERALL LENGTH - 140"
 OVERALL HEIGHT - 53"

DRAWN J. SIMON 18.11.44
 TRACED W. G. 20.1.45
 CHECKED L.P.H.
 PASSED

MODEL
 MG 10 HP TWO SEATER SERIES TC.
 GENERAL ARRANGEMENT
 OF BODY

BODY DEPT.
 MORRIS MOTORS
 LIMITED
 COWLEY, OXFORD

B: 951